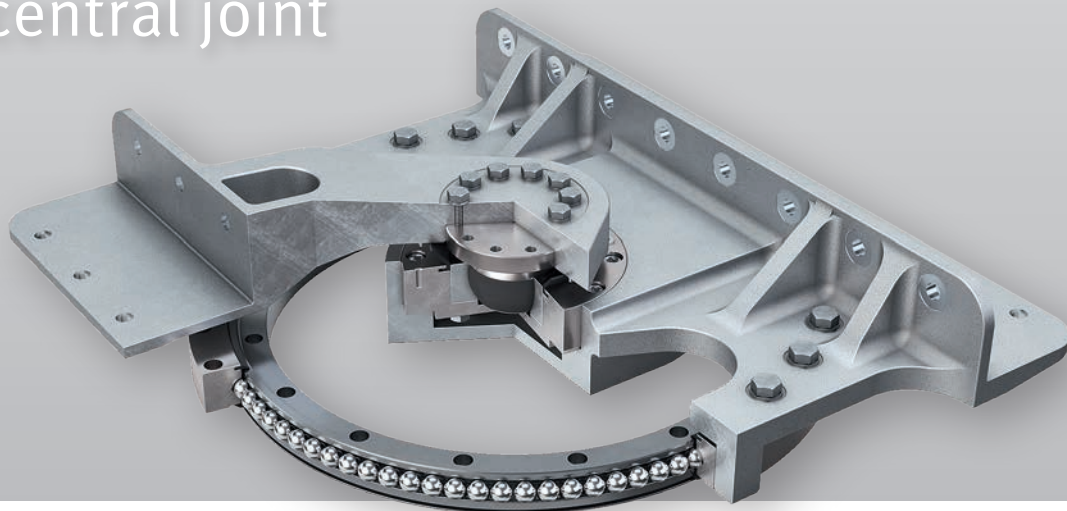


Rolling bearings
Plain bearings
Linear technology

System Solution for Streetcars

Slewing ring combined with a
central joint



SCHAEFFLER

System solution for streetcars

Description

System comprising a central joint and slewing ring for streetcar and metro bogies

Functional advantages

- High reliability and long operating life due to robust design and effective sealing
- Lower operating costs due to reduced maintenance outlay

Product characteristics

- Corrotect coating
- Effective sealing
- Central joint with ELGOGLIDE W11 sliding layer

Product benefits

- System customized for the application
- Corrotect coating provides a high level of corrosion protection
- Simple to mount and connect to the adjacent construction
- Low friction values thanks to ELGOGLIDE W11
- Maintenance-free central joint and low-maintenance slewing ring

Performance data

- ELGOGLIDE W11 sliding layer suitable for contact pressures from 1 to 150 N/mm²
- Both bearing solutions have a high load carrying capacity

