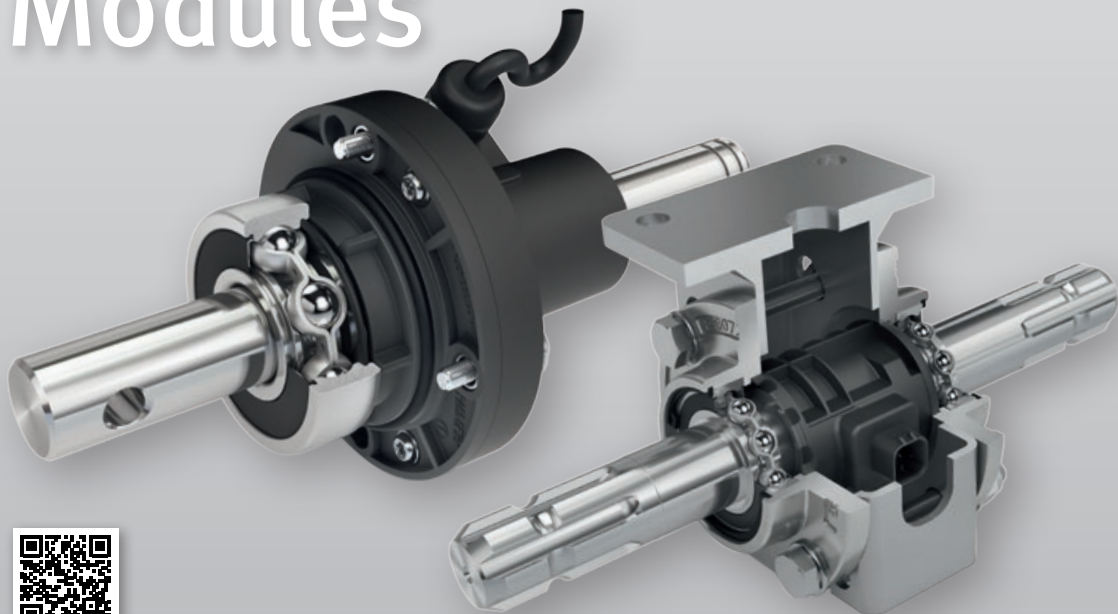


Torque Measurement Modules



Take an interactive
look at the product!

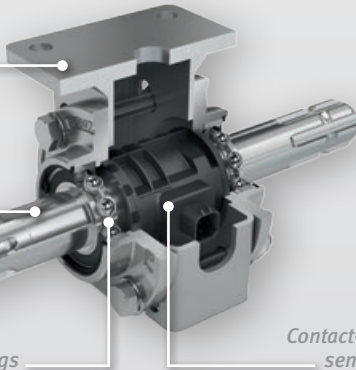
Ready-to-fit modules, measurement with long-term stability



Individual adjacent construction

Magnetized shaft

Rolling bearings



Contact-free sensors

Functional advantages

- Plug & play torque measurement module
- Direct integration into the drive train
- Non-contact torque measurement
- Temperature measurement
- Speed measurement

Customer benefits in spreader applications

- Measurement and regulation of the spreading material
- Constant spreading pattern
- Even distribution of the spreading material
- Low level of stress placed on all components
- Reduced force requirement
- Environmental protection
- Maximum efficiency and cost-effectiveness

Performance data

- Torque measurement range up to 20,000 Nm
- Operating temperature range: -40°C to $+125^{\circ}\text{C}$
- Precision $< \pm 1\%$ FS

Interfaces

- CAN (SAE J1939-ISOBUS compatible)
- Analog (0.5 V – 5 V)